

JVC

DLA-X790

D-ILA Custom Install
Home Theater Projector

Procision



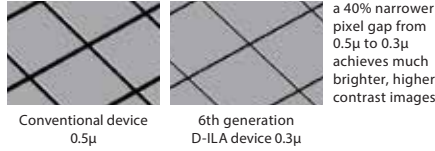
A THX 3D and ISF certified projector, the DLA-X790 is a high performance, fully-customizable home theater projector that produces exquisite quality images with class leading 130,000:1 native contrast ratio. The projector features upgraded 4K e-shift5 for a significant improvement in picture quality vs. our previous models. JVC also upgrades UHD HDR brightness and dynamic range when using our Intelligent Aperture.

- 1900 Lumens with High Power Lamp (PK-L2615U)
- 130,000:1 Native Contrast Ratio
- Three 1920 x 1080 0.7-inch D-ILA devices
- e-shift5 4K Precision 3840 X 2160 Projected Image — *upgraded for 2018*
- Two 18Gbps HDMI/HDCP 2.2 Compatible Inputs
- Advanced HDR usability w/brighter, more detailed HDR content — *upgraded for 2018*
- THX® 3D Certified
- ISF (Imaging Science Foundation) Licensed
- Improved Motion Enhancement (2D, 3D, 4K) w/CMD
- Multi Pixel Control (MPC) w/Auto Mode
MPC works with 4K60P (up to 4:4:4) signals
- Low Latency Mode improves picture, speeds operation, and reduces gaming/PC frame delays
- Digital Cinema Initiative (DCI) Color Space
- 1.4:1 to 2.8:1 motorized zoom lens w/Horizontal and Vertical offset
- Lens memory function memorizes 10 positions for focus, zoom and shift
- Control: Control4 SDDP / LAN / RS-232C / IR / 12V Screen Trigger Output / 3D Sync Output

Note: Optional Active 3D Glasses (PK-AG3) and RF Emitter (PK-EM2) are required for viewing images in 3D.

4K e-shift5 **D-ILA** Control4 CERTIFIED  **THX 3D** DISPLAY

D-ILA JVC's 6th Generation D-ILA Imaging Device
 The exceptional picture quality achieved by JVC projectors is a result of the precision technology behind the D-ILA device which features a 0.3μ pixel gap and high light efficiency for bright, high native contrast and superior detail.



4K e-shift5 4K Precision JVC e-shift5 Technology

The 5th generation of e-shift analyzes every pixel in a native 4K signal to provide more optimization and better sharpening. It also vastly improves the detail in very small text. AUTO mode in Multiple Pixel Control conveniently detects your current input and adds signal compatibility extending to 4K60P (up to 4:4:4).



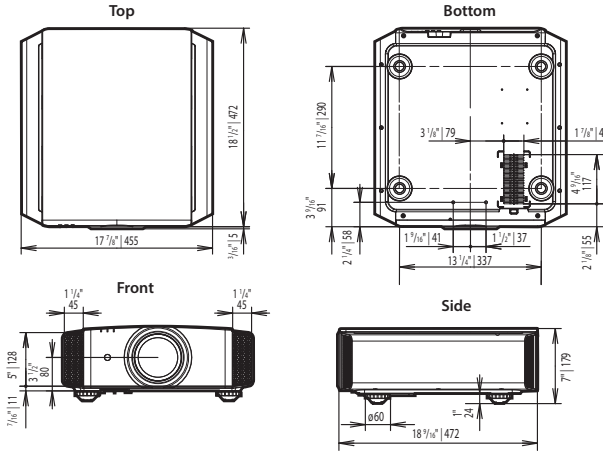
HDR10 plus Hybrid Log-Gamma

HDR content such as UHD Blu-ray discs incorporate extended dynamic range, 10bit color and wide BT.2020 color gamut. DLA-X790 supports BT.709 and Digital Cinema Initiative (DCI) color gamut with BT.2020 color mapping, with high native contrast and bright vivid images. New HDR color mode improves brightness 20% and increases dynamic range when using Intelligent Aperture with HDR content.

Hybrid Log-Gamma is an additional HDR Gamma mode that is used for live broadcast or streaming events.



External Dimensions (unit: inches | mm)



Notes about viewing 3D video content

- The optional 3D Synchro Emitter and 3D glasses are required to view 3D images from the D-ILA projectors. 3D video software (3D media or output of 3D broadcasts) and a 3D-compatible video player are also required.
- Perception of 3D images will vary with individual viewers.
- Stop viewing 3D images immediately if any discomfort such as headaches, dizziness, eye fatigue, etc. occurs.
- Viewing of 3D images by children under the age of five is not recommended.
- Read the Safety Precautions in the User Manual carefully before viewing any 3D source.

- The projector is equipped with a new super-high pressure mercury lamp, which may break, emitting a loud noise, when it is subjected to shock or after it has been used for some length of time.
- Please note that, depending on how the projector is used, there can be considerable difference between individual lamps regarding how many hours they will operate before requiring replacement.
- An additional payment is required for installation of a new lamp, if necessary.
- The projector lamp requires periodic replacement and is not covered by the projector's warranty.
- The lamp warranty is one year or 1000 hours, whichever comes first.
- Please be aware that, because the D-ILA device is manufactured using highly advanced technologies, 0.01% or fewer of the pixels may be non-performing (always on or off).
- Design and specifications are subject to change without notice.
- All pictures on this brochure are simulated.
- Adobe is a trademark or registered trademark of Adobe Systems Incorporated in the U.S. and/or other countries.
- HDMI, the HDMI logo and High-Definition Multimedia Interface are registered trademarks of HDMI Licensing LLC.
- All other brand or product names may be trademarks and/or registered trademarks of their respective owners.
- Any rights not expressly granted herein are reserved.

Copyright © 2017, JVCKENWOOD Corporation. All Rights Reserved.c

18Gbps Full Speed HDMI Inputs with HDCP2.2

JVC has incorporated the latest HDMI/HDCP2.2 standard on both HDMI inputs allowing for two HDCP2.2 copy protected devices to be connected at the same time up to 60 fps.

Superior Color Performance and Contrast

In order to take full advantage of UHD Blu-ray and HDR the optical engine incorporates advanced color filtering which enables a wider color gamut. The viewing experience comes alive with the vivid color saturation and extended contrast range found in these new formats. Extended color gamut enables a larger color palette to more faithfully reproduce the intent of the content creator in movies, sporting events or photography. A variety of color modes are available and can be setup as custom user memories.

Control4 Home Automation

Every Reference Series projector is Control4 SDDP (Simple Device Discovery Protocol) software certified so it can easily be integrated into a Control4 home automation system.

Optional Equipment



Connectors



Specifications

DLA-X790	
Imaging device	0.7 inch Full HD D-ILA (1920 x 1080) x3
4K e-shift5 Technology	Yes
Resolution	3840 x 2160 Precision via e-shift5 technology (1920 x 1080 in 3D mode)
Lens	2X Motorized Zoom & Focus, (f2)1.4 to 2.8 (f4) Throw Distance Range Throw distance=Screen width X1.4 (Min.), Screen width X2.8 (Max.)
Lens Shift	Motorized Shift±80% Vertical and ±34% Horizontal
Light Source	NSH 265W Lamp (lamp life: approx. 4500 hours when the lamp is in Low mode)
Contrast Ratio	Native: 130,000:1 Dynamic: 1,300,000:1
Input Terminals	HDMI 2 (Full Speed 18Gbps HDMI/HDCP 2.2 Compatible w/HDR)
Output Terminals	3D Sync 1 (Mini DIN 3pin) Trigger 1 (Mini jack, DC12V/100mA)
Control Terminals	RS-232C 1 (D-sub 9pin) LAN (RJ-45) 1
Digital Video Signal	480p, 576p, 720p/50 Hz, 720p/60 Hz, 1080i/50 Hz, 1080i/60 Hz, 1080p/24 Hz, 1080p/50 Hz, 1080p/60 Hz, 3840x2160/24Hz, 3840x2160/25Hz, 3840x2160/30Hz, 3840x2160/50Hz*, 3840x2160/60Hz** 4096x2160/24Hz*, 4096x2160/25Hz*, 4096x2160/30Hz*, 4096x2160/50Hz*, 4096x2160/60Hz**
3D Signal	Frame Packing 720p/50 Hz, 720p/60 Hz, 1080p/24 Hz Side-by-Side 1080i/60 Hz, 1080p/60 Hz, 1080i/50 Hz, 1080p/50 Hz, 1080p/24 Hz, 720p/50 Hz, 720p/60 Hz Top-and-Bottom 720p/50 Hz, 720p/60 Hz, 1080p/24 Hz
PC Input Signal Format	HDMI VGA 60, VGA 59.94, SVGA 60, XGA 60, WXGA 60, WXGA+ 60, SXGA 60, WSXGA+ 60, WUXGA 60
Dimensions (WxHxD-inches)	17 7/8 x 7 x 18 9/16
Weight (net) (lbs)	34.4

*1 When the color space is RGB/YCbCr(4:4:4), only 8-bit input is supported.

** 4096x2160 Signal will be cropped equally on left and right side and image will be displayed 3840x2160.